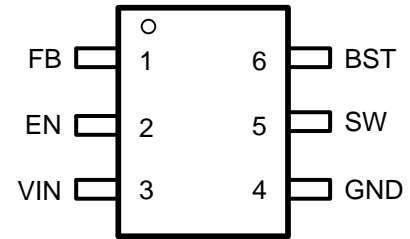


I: KMGNF K	I: D: F: KDB	I: D: B: KBMBIG
1)		

Over operating free-air temperature unless otherwise noted⁽¹⁾

DESCRIPTION	MIN	MAX	UNIT
BST	-0.3	40	V
VIN, SW, EN	-0.3	34	V
FB	-0.3	5.5	V
Operating junction temperature ⁽²⁾	-40	125	°C
Storage temperature T _{STG}	-65	150	°C



Top View: TSOT23-6L, Plastic

(1)

(2)

G: F GH

I B: NG MB: MB:

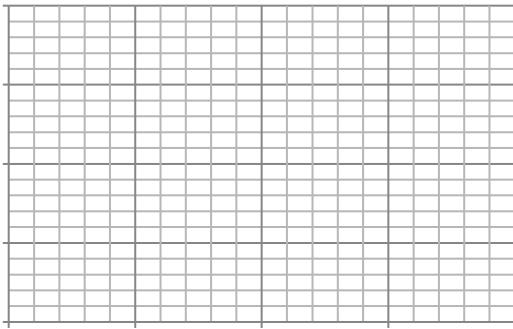
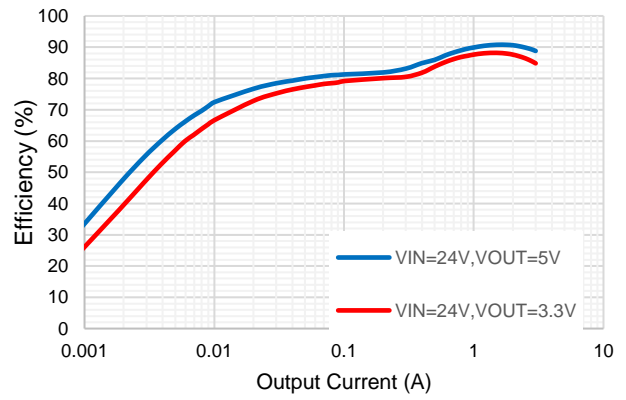
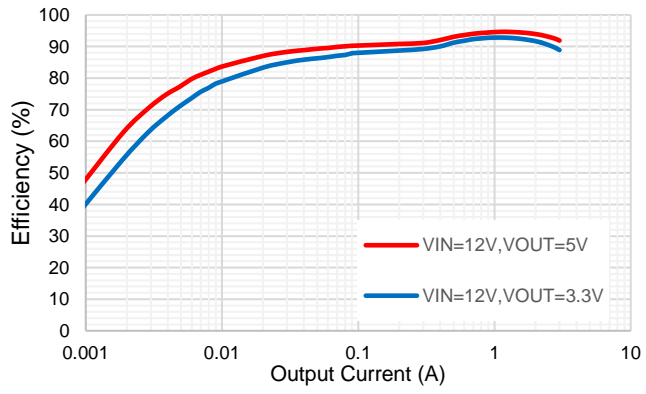
BST	6	Power supply for the high-side power MOSFET gate driver. Must connect a 0.1uF or greater ceramic capacitor between BST pin and SW node.
-----	---	---

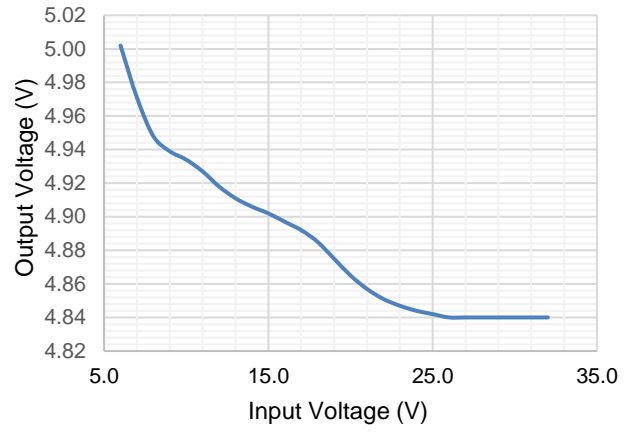
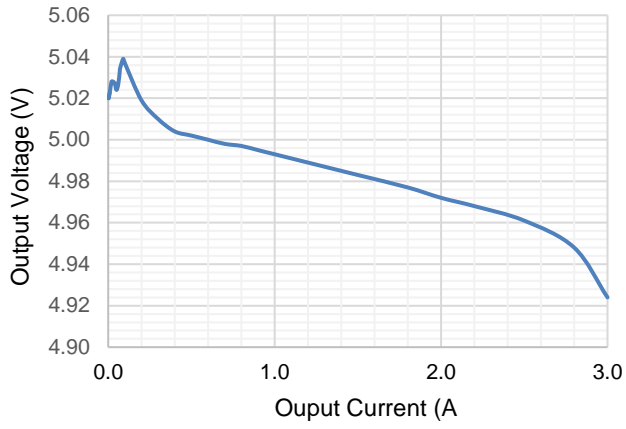
I: K: F M K	EGB/BHG	F EG	F: Q	NGBM

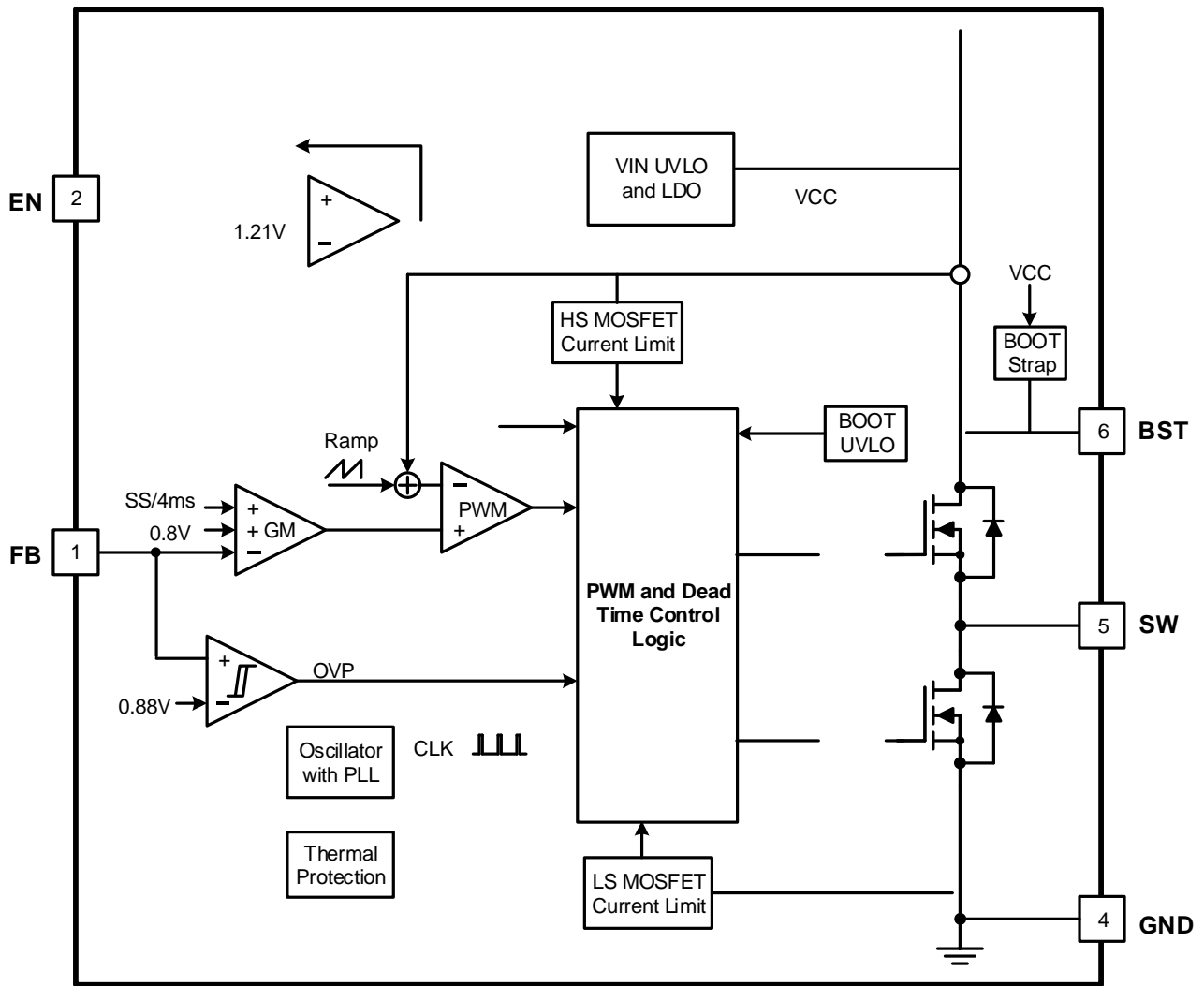
I: K: F M K	EGB/BHG	F EG	F: Q	NGBM
-------------	---------	------	------	------

L M , ,

LRF HE	I: K: F M K	M LM HG B/BIG	MRI F: Q	NGM
d	:	ϕb		
Eb b				
L b ab				
L L Mb				
I b				







b 2 b e e d b

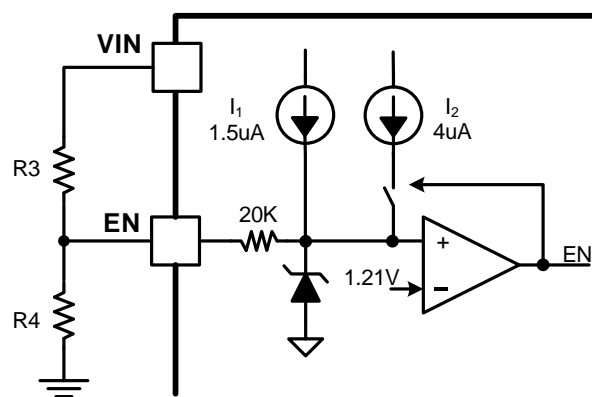
L M , ,

H b

OEI

N O e E d NOEH

:
é L



- —————
—
- (1)

-
- (2)

L b ab G Kb b

L M , ,

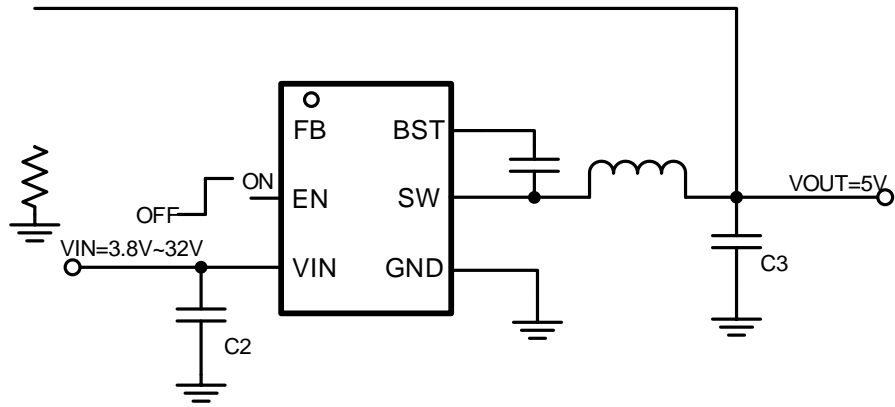
I d Eb^b Ab F

H O e l b F b b H b

I L F P db F

: E K e b

M b e ϕ b



b , -OB .O, : H

b I

Design Parameters	Example Value
Input Voltage	24V
Output Voltage	5V
Output Current	3A
Output voltage ripple (peak to peak)	±0.3V
Switching Frequency	400kHz

B b L e b

(3)

-
-
-

B L e b

(4)

-

(5)

L M , ,

: : H b L e b

(6)

•
•
•

H : b L e b

_____ (10)

H dK b b b L e b

_____ (11)

M e K : e

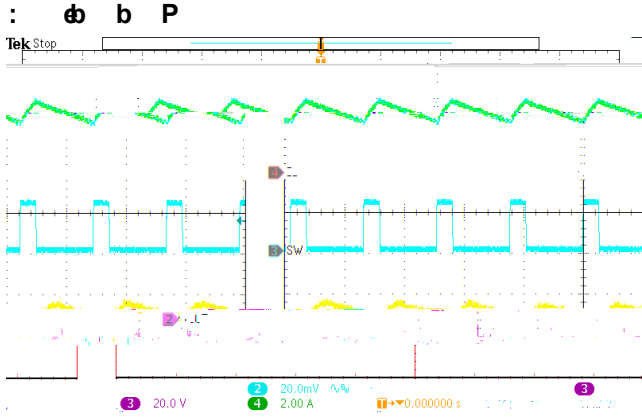


Figure 16. SW node waveform and Output Ripple
VIN=24V, IOU=3A

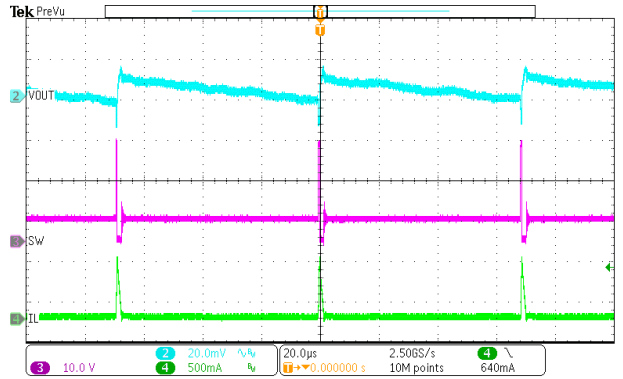


Figure 17. SW node Waveform and Output Ripple
VIN=24V, IOU=10mA

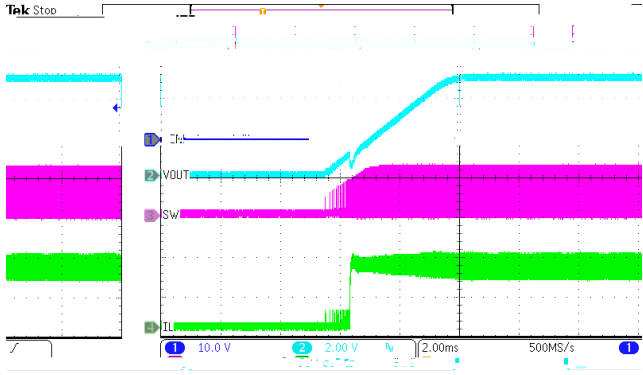


Figure 18. Power Up
VIN=24V, VOUT=5V, IOU=3A

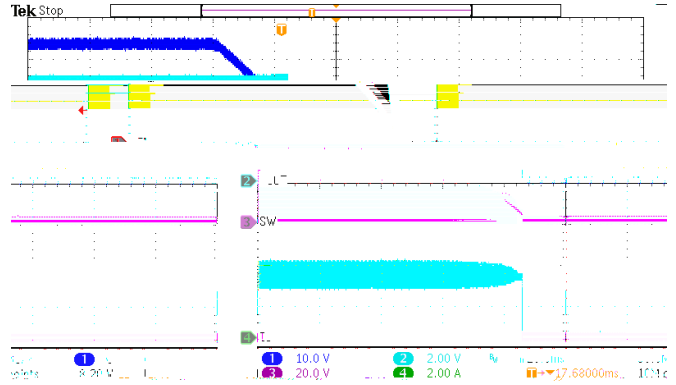


Figure 19. Power Down
VIN=24V, VOUT=5V, IOU=3A

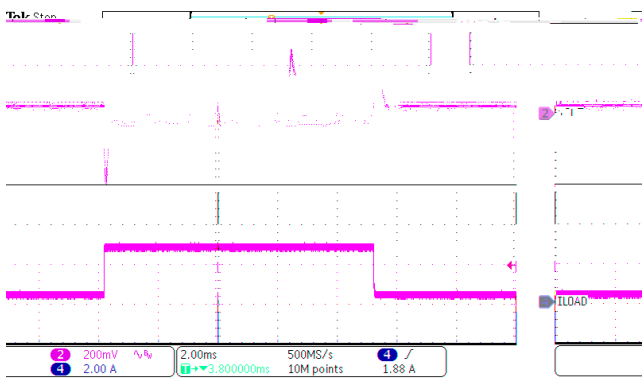


Figure 20. Load Transient
VOUT=5V, IOU=0.3A to 2.7A, SR=250mA/us

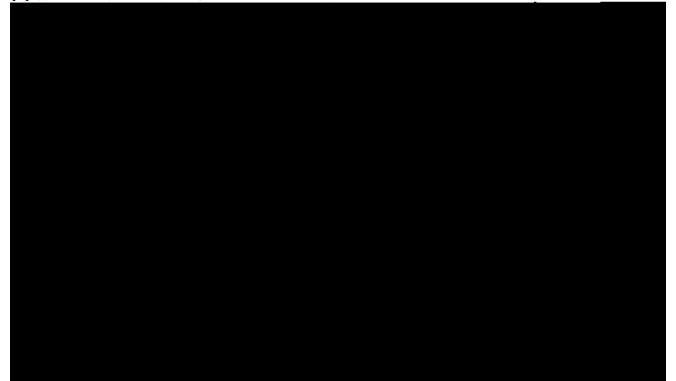
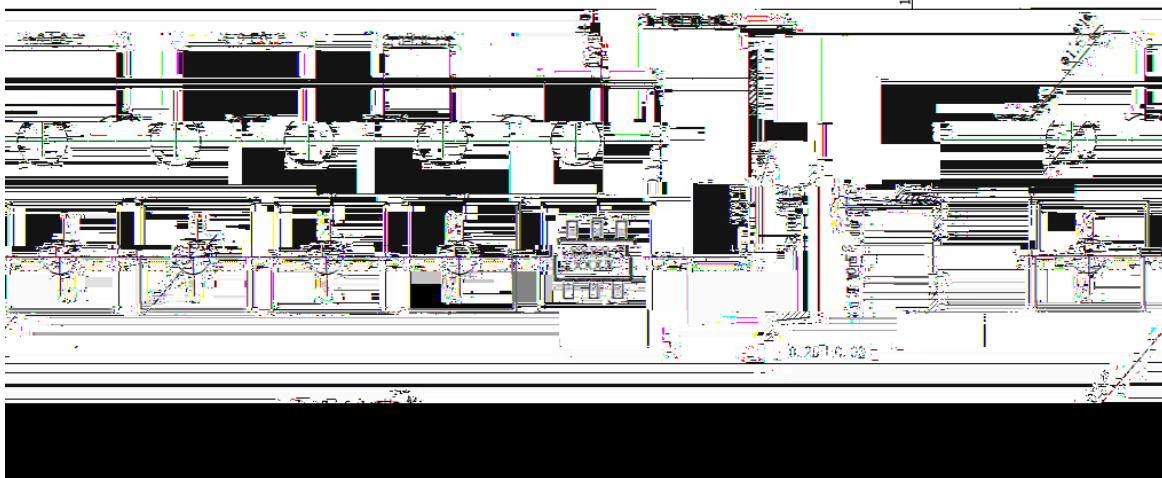
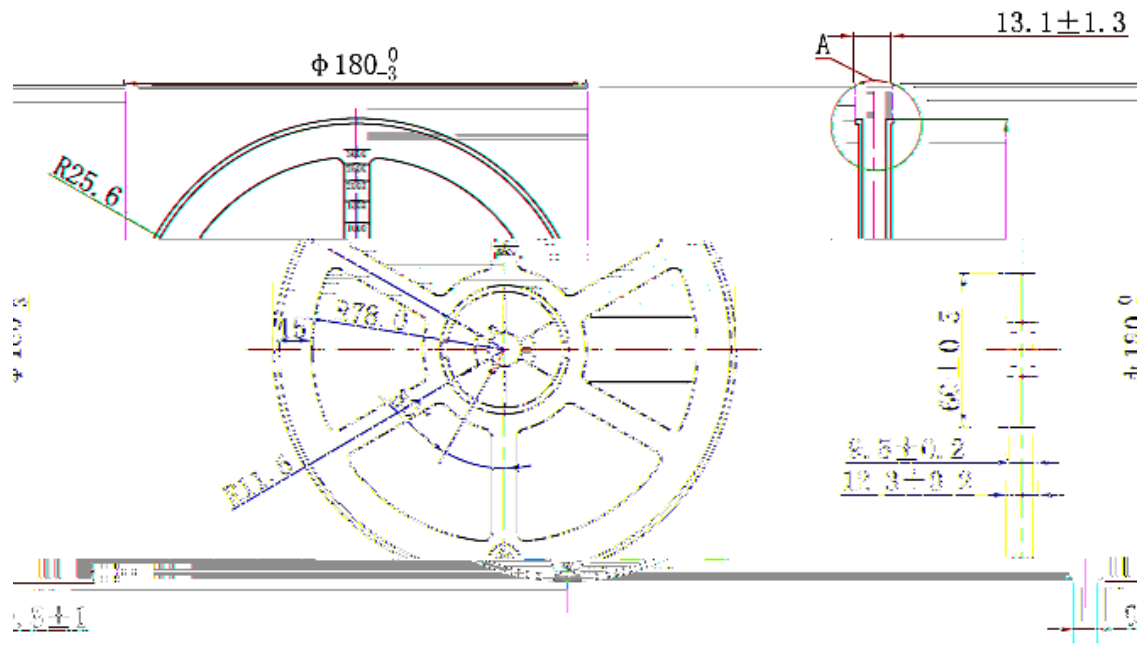


Figure 21. Load Transient
VOUT=5V, IOU=0.75A to 2.25A, SR=250mA/us

GHM 3

1.



b b b



